

STANDARD SPECIFICATIONS

MECHANICAL

BODY.....GLASS-FILLED POLYESTER
 DIAPHRAGM.....POLYURETHANE *
 TERMINALS.....BRASS, GOLD-PLATED NEMA
 .187x.020 (4.75x.508) MALE TABS *
 CONTACTS.....PHOSPHOR BRONZE GOLD INLAY *
 CONTACT FORM.....SPST NORMALLY OPEN
 or NORMALLY CLOSED
 LIFE *.....100,000,000 CYCLES
 WEIGHT *.....APPROXIMATELY 10 GRAMS

FUNCTIONAL

OPERATING POSITION *.....DIAPHRAGM VERTICAL
 OPERATING TEMPERATURE *.....-40 °F to 185 °F
-40 °C to 85 °C

SET POINT RANGES * IN H2O (Pa) PRESSURE @ AMBIENT

RANGE A.....N/O: 0.10 (25) to 0.50 (125)
 N/C: 0.30 (75) to 0.75 (187)
 RANGE B.....0.50 (125) to 2 (498)
 RANGE C.....2 (498) to 10 (2.49k)
 RANGE D.....10 (2.49k) to 30 (7.5k)
 RANGE E.....30 (7.5k) to 150 (37.4k)
 RANGE F.....150 (37.4k) to 550 (137k)

PROOF * IN H2O (Pa) MAX

RANGE A.....5 (1.2K)
 RANGE B.....15 (3.74K)
 RANGE C.....70 (17.4K)
 RANGE D.....250 (62.3K)
 RANGE E.....550 (137.9K)
 RANGE F.....690 (172.4K)

SET POINT TOLERANCES * IN H2O (Pa)

0.10 (25) to 0.15 (37).....+/-50%
 0.16 (40) to 0.30 (75).....+/-30%
 0.31 (77) to 10.0 (2.49K).....+/-20%
 10.1 (2.5K) or GREATER.....+/-10%

ELECTRICAL

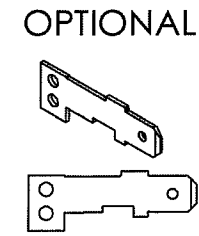
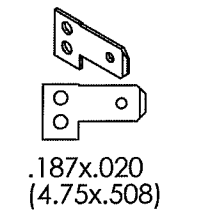
INITIAL RESISTANCE.....<500 MILLIOHMS
 UL/CSA RATINGS.....3.15ma @ 125VAC
 ADDITIONAL RATINGS.....10 - 20ma @ 5 - 24VDC

AGENCY

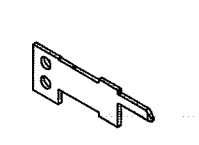
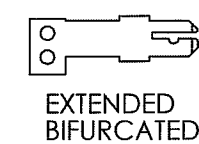
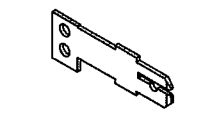
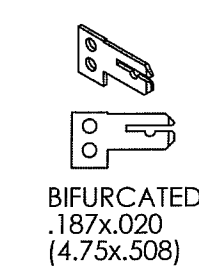
UL FILE #.....E-70125
 CSA FILE #.....50215

* OPTIONS ARE AVAILABLE FOR SPECIFIC APPLICATIONS.
 SOME OPTIONS CAN AFFECT THE STANDARD SPECIFICATIONS

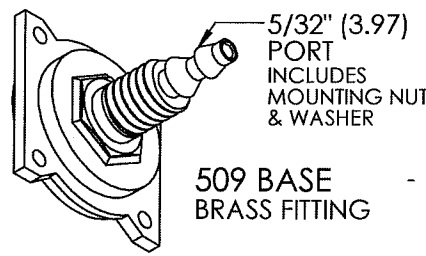
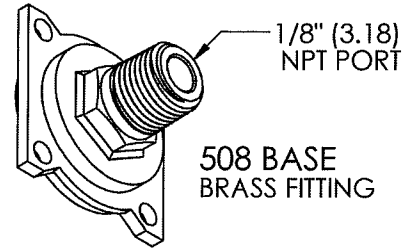
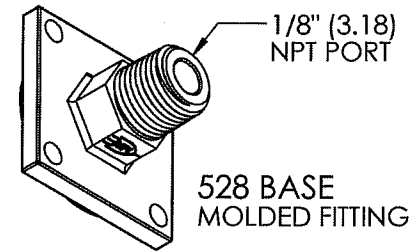
TERMINALS



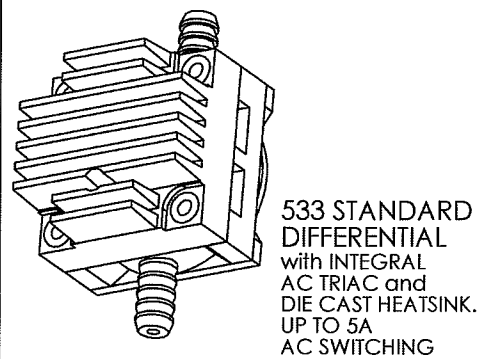
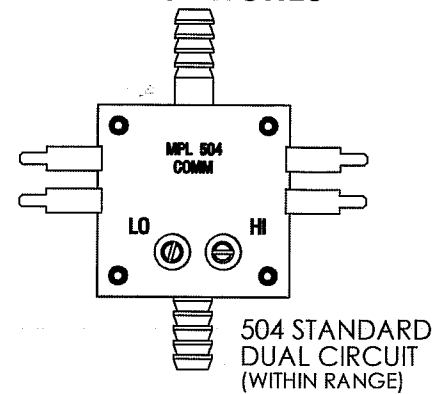
EXTENDED



OPTIONAL BASES

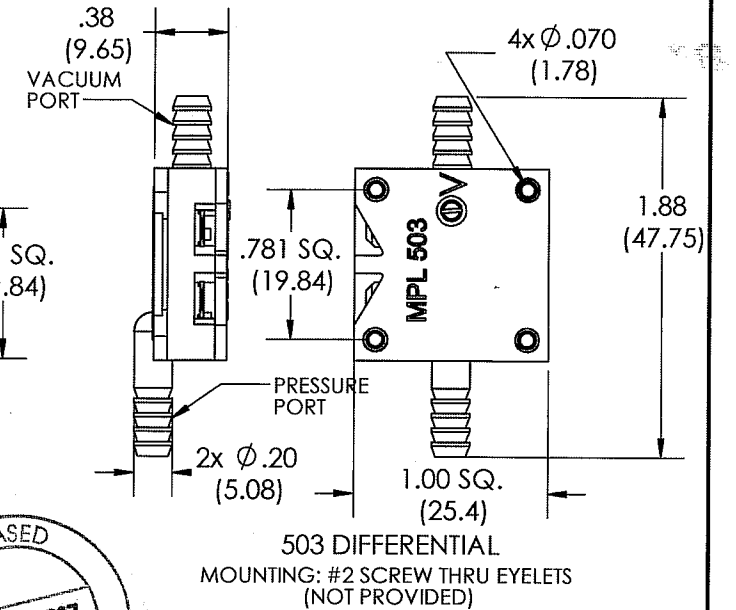
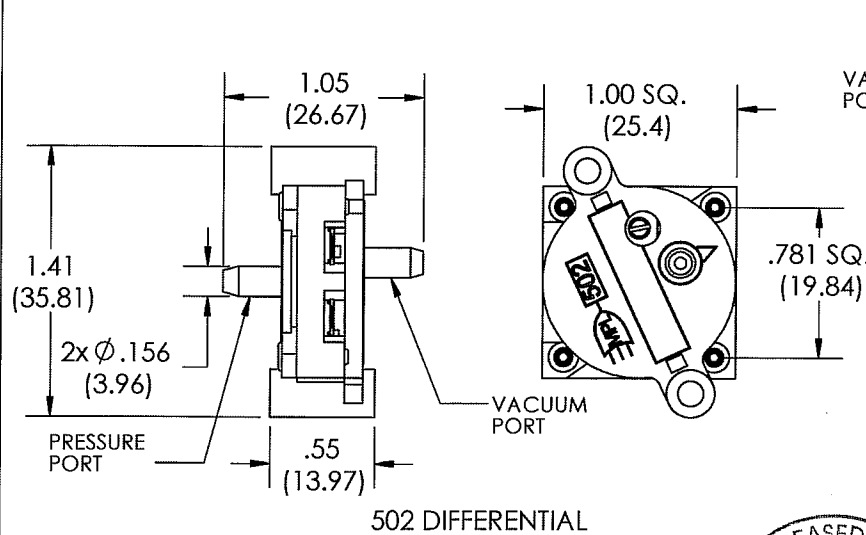
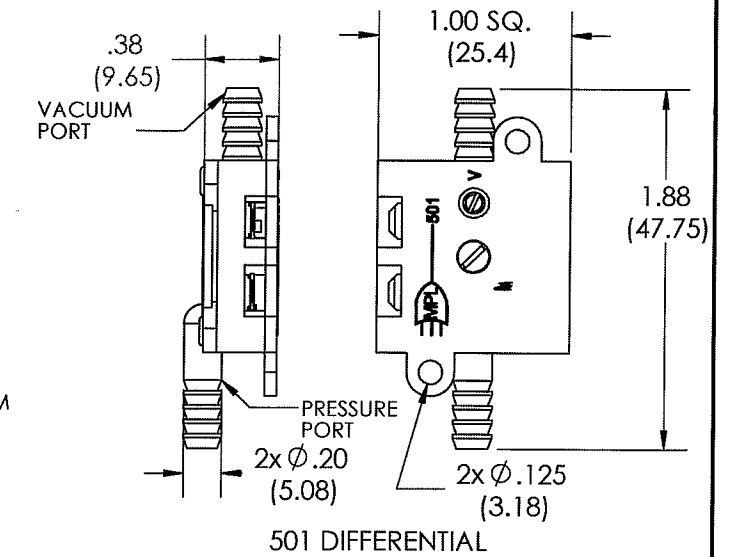
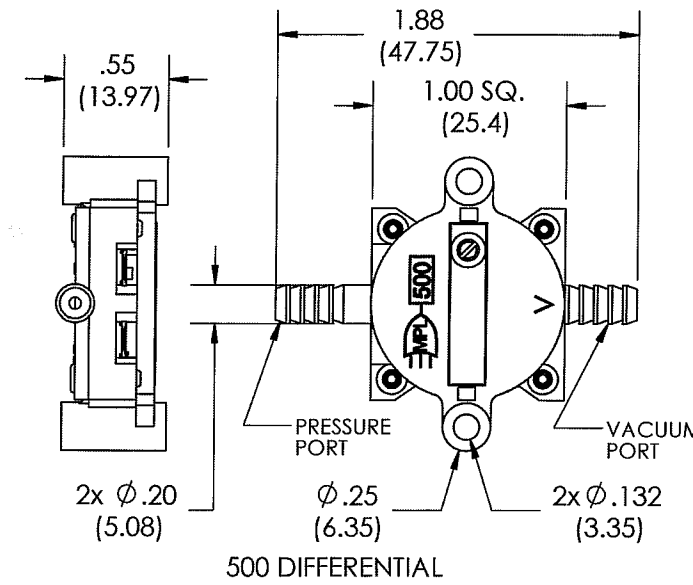


SPECIALTY SWITCHES



FORMS

DIFFERENTIAL : 2 PORTS - CAN BE USED AS DIFFERENTIAL, VACUUM, OR PRESSURE
 VACUUM.....: VACUUM PORT ONLY
 PRESSURE.....: PRESSURE PORT ONLY



0500 SERIES SWITCHES

VISIT OUR WEBSITE AT
 WWW.PRESSURESWITCH.COM
 FOR FURTHER INFORMATION

CALL US FOR SPECIFIC APPLICATION REQUIREMENTS

MICRO PNEUMATIC LOGIC INC.
 2901 GATEWAY DRIVE
 POMPANO BEACH, FLORIDA 33069
 PHONE.: 954-973-6166
 FAX.....: 954-973-6339

DIMENSIONS:
 INCHES (MILLIMETERS).
 TOLERANCES UNLESS OTHERWISE SPECIFIED:
 .X= —
 .XX= .030 (.76)
 .XXX= .015 (.38)
 .XXXX= —
 ANGLES ± 2°

REV	ECN	DATE	BY	INITIAL	DATE
B	8311	8/10/05	ALR	DRWN	A.RODRIGUEZ 07/05/05
C	8636	2/13/06	ALR	CHCK	[Signature] 03/09/07
D	8924	3/06/07	ALR	ENGR	[Signature] 3/9/07
				SALES	[Signature] 3/9/07
				QUAL	[Signature] 3/9/07

www.pressureswitch.com

DOCUMENT NUMBER	REV
0500SALES	D

SCALE: NTS SHEET: 1 OF 1