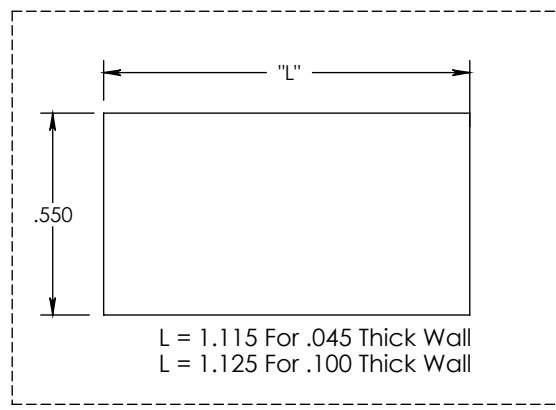
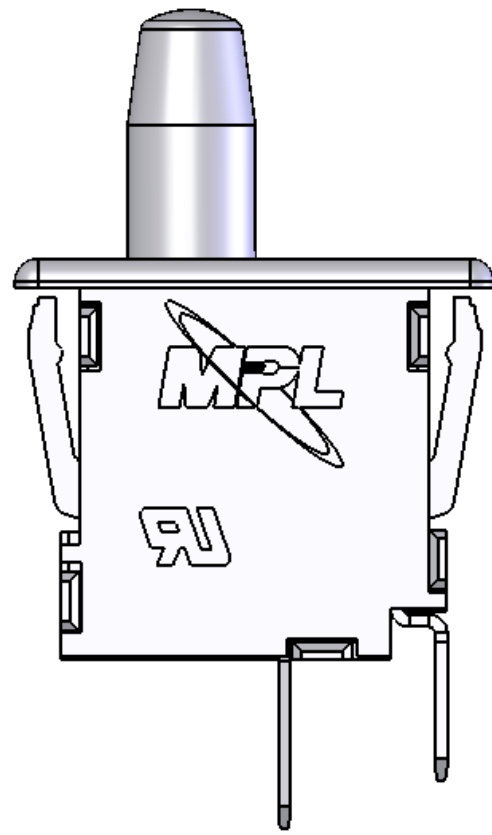
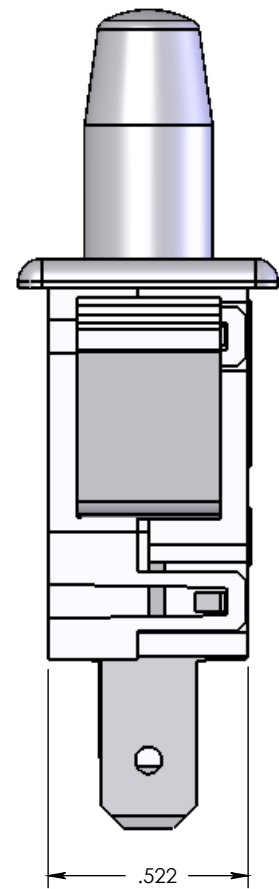
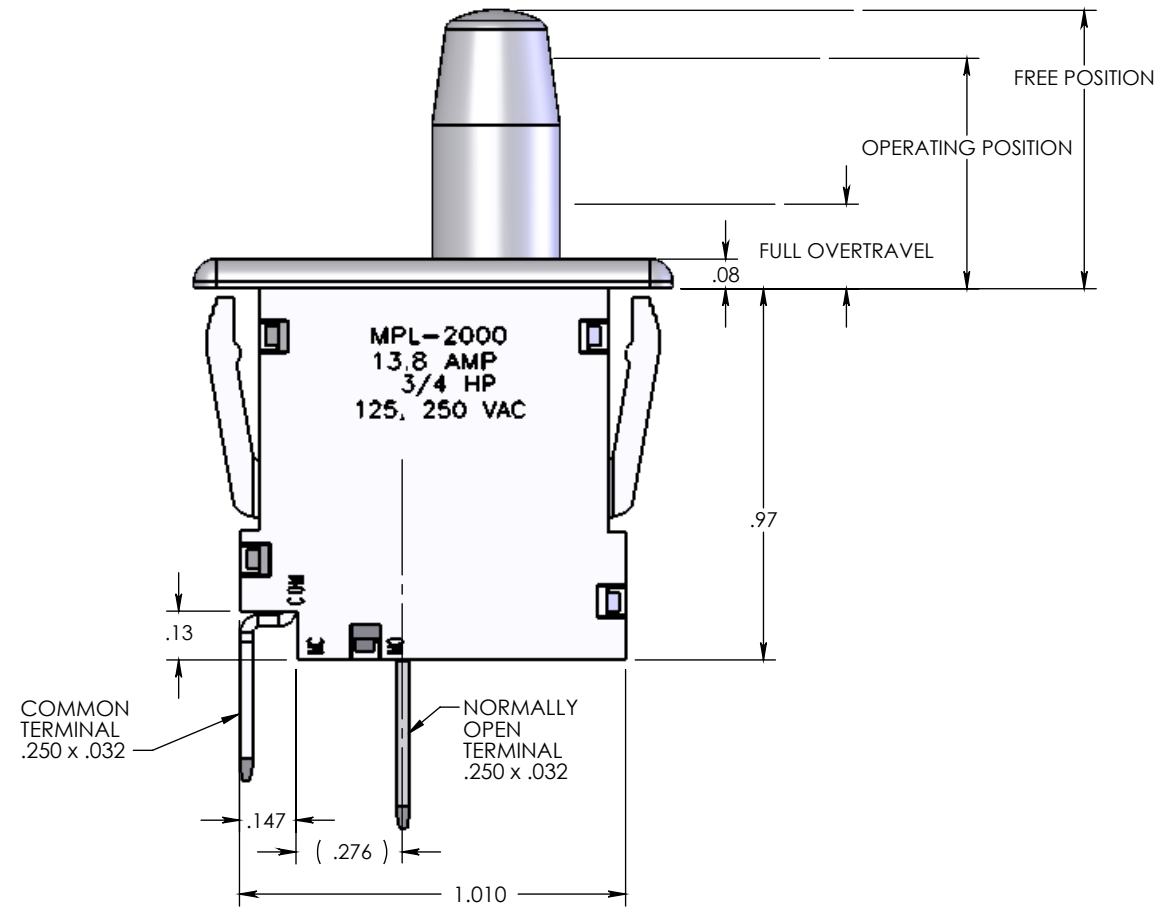
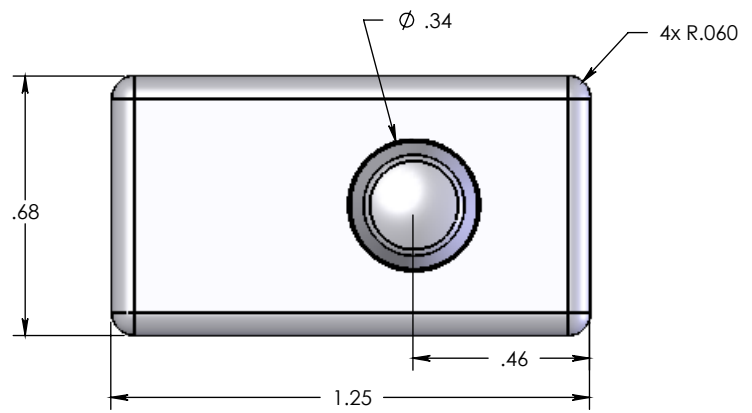
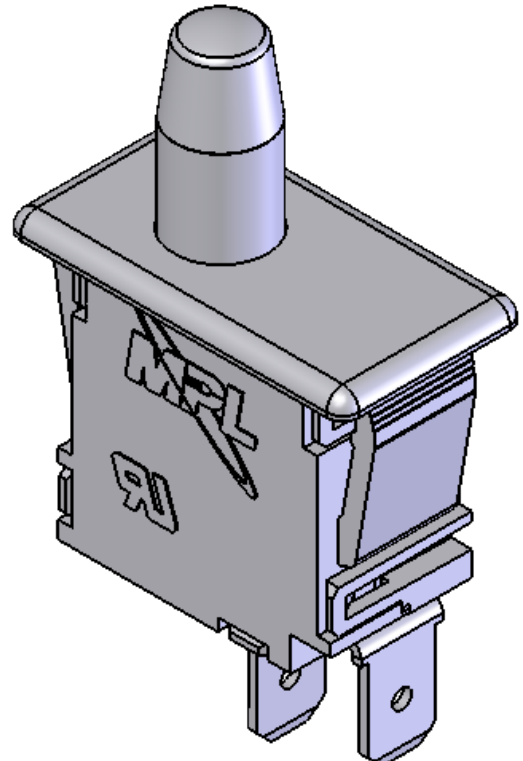


Ratings :	13.8 A-3/4 HP, 125/250
UL File #	E213351
CASE:	THERMOPLASTIC
TERMINALS:	BRASS
MOVING BLADE:	BERYLLIUM COPPER
CONTACTS:	SILVER CADMIUM OXIDE
TEMP. RATING	- 40°C TO 85°C
FLAMMABILITY:	UL94V-0




Mounting Hole Detail



MPL 2000 SERIES

UNITS ARE IN INCHES
 TOLERANCES: UNLESS OTHERWISE SPECIFIED
 .X= .005
 .XX= .03
 .XXX= .015
 .XXXX= .0005
 ANGLES ± 2°
 LAST USED (X)
 △ = CRITICAL DIMENSIONS
 ▼ DIFF. FROM CUSTOMER DWG
 THIRD ANGLE PROJECTION

REV	ECN	DATE	BY	INITIAL	DATE
				DRWN ALR	07/29/08
				SALES	
				ENGR	

 www.pressureswitch.com

2000XO		REV
		S1

CAD FILE: 2000XO.slddrw

SCALE: 1:1 SHEET: 1 OF 1

THIS DOCUMENT CONTAINS TRADE SECRET INFORMATION THAT IS PROPRIETARY TO MICRO PNEUMATIC LOGIC, INC. AND/OR TO OUR CUSTOMER. USE OF THIS INFORMATION OR THIS DOCUMENT BEYOND THE PREMISES OF MICRO PNEUMATIC LOGIC INC. IS UNLAWFUL AND PROHIBITED WITHOUT PRIOR WRITTEN AUTHORIZATION.